



40-200/100/500
07 8282
747 B777-200
40-600/1900

B777-300

TANGYE

**AIRCRAFT
JACKS**

TANGYE AIRCRAFT JACKS

Tangye Hydramite and Hydralite Aircraft Jacks are lightweight and portable hydraulic lifting jacks designed to lift, lower, manoeuvre and position heavy loads with minimum effort and maximum safety.

Designed and manufactured in accordance with BS EN 1494:2000+A1:2008, The Tangye Aircraft Jacks feature:

- High strength aluminium alloy construction is lighter than traditional chrome plated steel which minimises weight and increases portability
- Extendable screw with custom socket design to suit a number of different aircraft
- Integrated relief valve prevents lifting of loads in excess of the rated capacity
- Fail safe positive stop mechanism prevents overstroking of the ram by venting oil to the reservoir when the limit is reached
- Easy operation - The jack can be taken to full load by a single person
- Reliable - All moving parts totally enclosed and lubricated by hydraulic oil
- Durable and easy to maintain.



All Tangye Aircraft Jacks are manufactured in the UK by Allspeeds Ltd.

For more information call **+44 (0)1254 615100**, email: enquiries@allspeeds.co.uk, and website www.allspeeds.co.uk.

10 TONNE HYDRAMITE AIRCRAFT JACK

(MODEL NO. 1105002A)

Lightweight, portable jack with a 10 Tonne lift capacity.
The 10 Tonne jack weighs 6.3kg.



15 TONNE HYDRAMITE AIRCRAFT JACK

(MODEL NO. 1105003A)

Lightweight, portable jack with a
15 Tonne lift capacity.
The 15 Tonne jack weighs 10.0kg.



30 TONNE HYDRALITE AIRCRAFT JACK

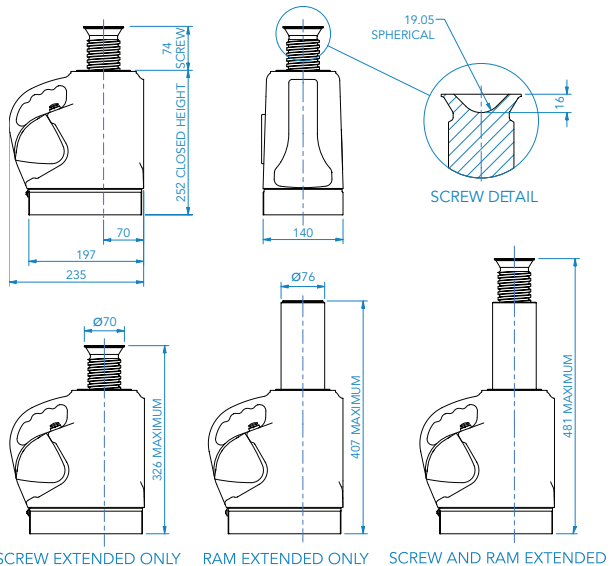
SCREWED EXTENSION

(MODEL NO. 138219)

The 30 tonne Hydralite Aircraft Jack is designed with an additional extension screw which increases the lifting height by up to 74mm and provides a custom interface for the following aircraft:

- B757
- B767-2/300
- B767-400
- A330.

The 30 tonne jack weighs 16kg, the 775mm operating lever weighs 2.2kg.



60 TONNE HYDRALITE AIRCRAFT JACK

SCREWED EXTENSION

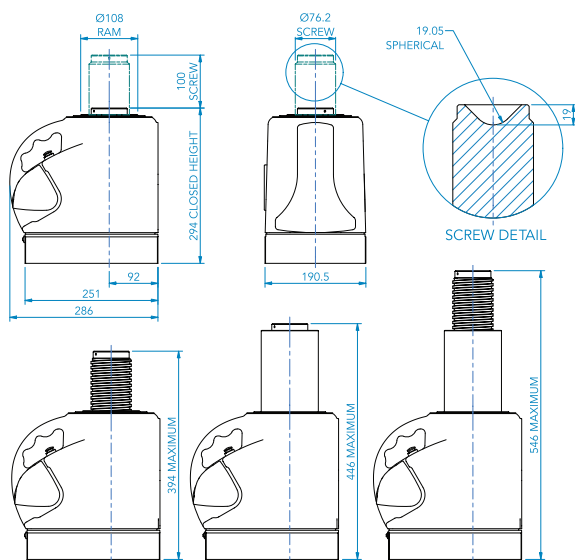
(MODEL NO. 138220)

The 60 tonne Hydralite Aircraft Jack is designed with an additional extension screw which increases the lifting height by up to 100mm and provides a custom interface for the following aircraft:

- MD80
- B737NG
- A320
- B767-2/300
- A330
- B767-400.
- B737CL



The 60 tonne jack weighs 28kg, the 775mm operating lever weighs 2.2kg.



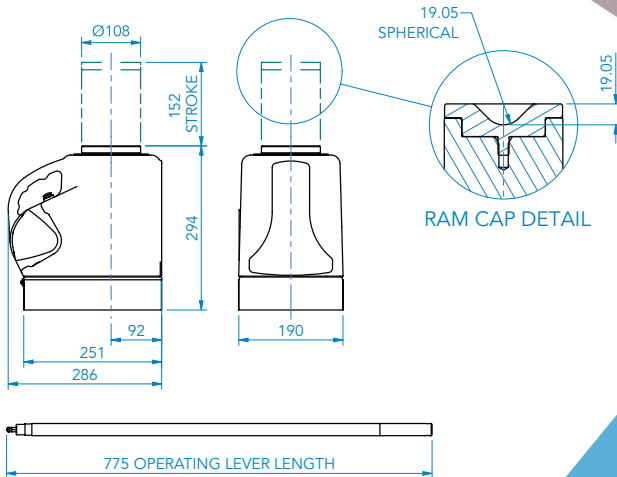
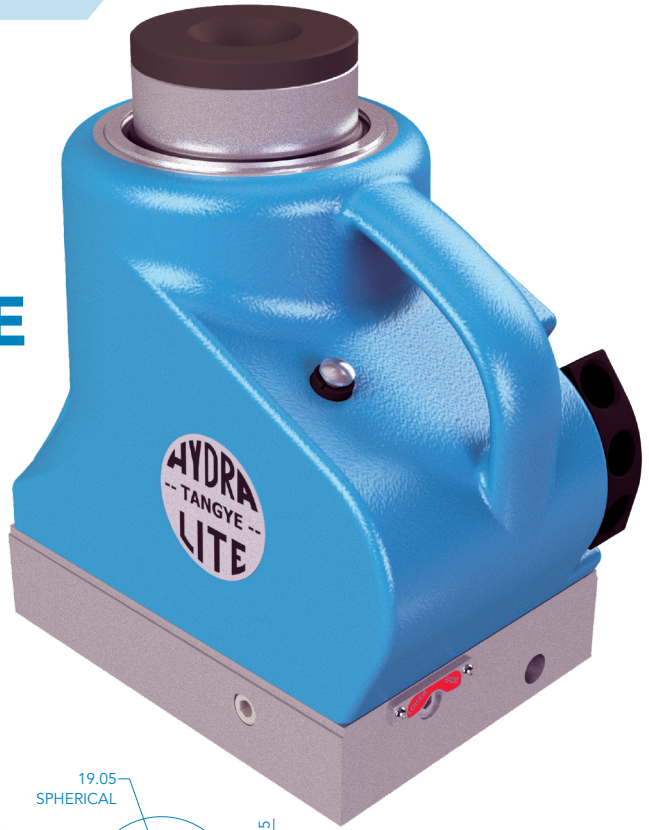
SCREW EXTENDED ONLY RAM EXTENDED ONLY SCREW AND RAM EXTENDED

60 TONNE HYDRALITE AIRCRAFT JACK

(MODEL NO. PS660Z)

The 60 Tonne Plain Hydralite jack has a custom lift interface and a lift height of 152mm.

The 60 Tonne jack weighs 28kg.



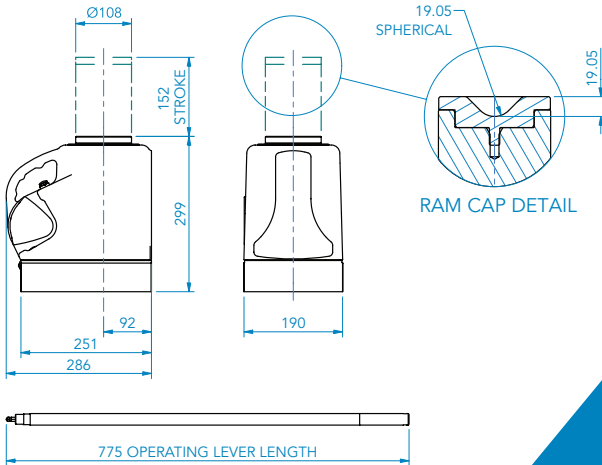
72 TONNE HYDRALITE AIRCRAFT JACK

(MODEL NO. PS672Z)

The 72 tonne Hydralite Aircraft Jack is designed with a bespoke socket top cap which provides a custom aircraft interface.

Bespoke interfaces are available on request.

The 72 tonne jack weighs 36.5kg.



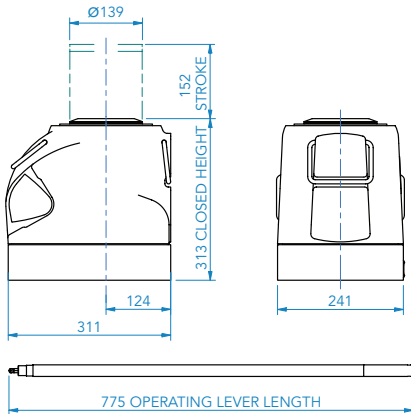
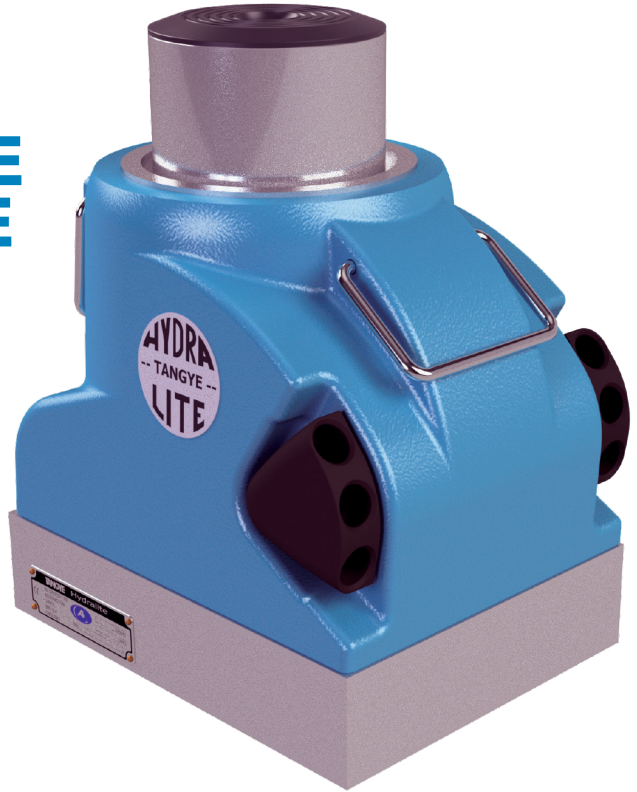
TANGYE

100 TONNE HYDRALITE AIRCRAFT JACK

(MODEL NO. P6100A)

The 100 Tonne Plain Hydralite jack has a custom lift interface and a lift height of 152mm. The jack is powered by 2 internal pumps. The low pressure, fast speed plunger moves the ram out quickly and the high pressure pump then takes over to lift to the rated load.

The 100 Tonne jack weighs 49kg.



AIRCRAFT JACK DIMENSIONS AND LOAD

Aircraft type	Main Load (T)	Main Max Retracted Height (mm)	Main btw Wheels (mm)	Jack Type
MD80	34.7	365	241	138220
A320	38.5	348	409	138220
A330	55	378	691	138220
B737CL	32	320	325	138220
B737NG	38.7	320	402	138220
B757	28.5	279	203	138219
B767-2/300	47.6	302	254	138220
B767-400	48.3	361	330	138220

Aircraft type	Nose Load (T)	Nose Max Retracted Height (mm)	Nose btw Wheels (mm)	Jack Type
MD80	6.8	216	157	1105002A
A320	12.5	241	198	1105003A
A330	31	209	272	138219
B737CL	7.8	244	183	1105002A
B737NG	8.7	226	183	1105002A
B757	15.1	262	254	1105003A
B767-2/300	22.7	317	274	138219
B767-400	22.7	318	274	138219

Rating	Height (mm)	Width (mm)	Jack Type
10 Tonne	182	76	1105002A
15 Tonne	230	92	1105003A
30 Tonne	252	140	138219
60 Tonne	294	190.5	138220
60 Tonne	294	190.5	PS660Z
72 Tonne	299	190	PS672Z
100 Tonne	313	241	P6100A

SPECIAL ENGINEERED AIRCRAFT JACKS

In addition to the standard range of Aircraft Jacks, Allspeeds is able to offer bespoke solutions and designs. We have worked on a variety of projects, ranging from small customer-tailored jacks to much larger systems, which incorporated the Tangye range of pumps. Our in-house design team will be more than happy to discuss your requirements so please don't hesitate to get in touch.

All products are manufactured and tested in the UK using quality European materials and in accordance with ISO 9001. Tangye equipment is used in a wide range of industries including Construction, Industrial, Automotive, Aerospace, Mining, Rail, Nuclear and Offshore.



TANGYE HYDRAULIC JACKS & PUMPS

For over 160 years Tangye has developed and manufactured a range of high quality hydraulic equipment ideal for industrial lifting as well as for a variety of other applications.

The Tangye range includes Hydraclaw, Hydramite and Hydralite hydraulic jacks as well as Hydrapak pumps, ideal when no power source is available, and Hydrostatic Test Pumps for checking the pressure resistance of gas and fluid pressure vessels.

Tangye's range of lightweight aluminium products has been in use throughout the world since 1856. Characterised by robust design, Tangye hydraulic jacks and pumps are high quality products that provide many years of reliable service.

Industrial Lifting

Tangye jacks allow heavy loads to be lifted, lowered, manoeuvred and positioned with safety. The range offers lifting capacity, 5-100 tonne, and stroke options to meet the needs of a variety of heavy lifting situations including claws for low ground clearance and screwed rams for sustained load retention. Due to their lightweight design and ease of use, Tangye's Hydralite, Hydraclaw, and Hydramite hydraulic jacks can be safely operated by one person.

Quality Assurance

All Tangye products are manufactured in the UK using high quality European materials and in accordance with ISO 9001. Every Tangye jack and pump is serial numbered, fully tested and certified.



TANGYE



Manufactured by:

Allspeeds Ltd

Royal Works
Atlas Street
Clayton-Le-Moors
Accrington
Lancashire
BB5 5LW

Tel: **+44 (0)1254 615 100**

Email: **info@allspeeds.co.uk**

Web: **www.allspeeds.co.uk**