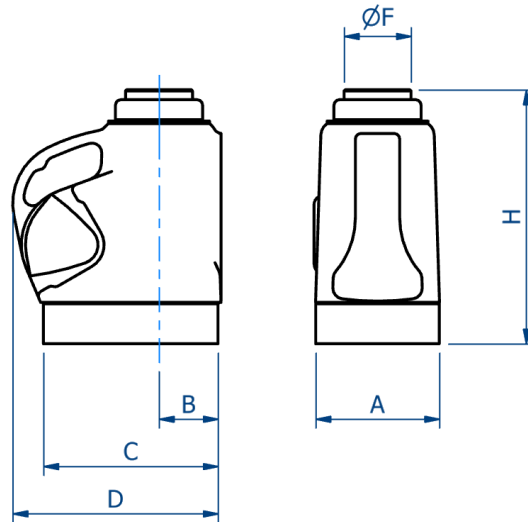


6" Screwed Ram



Description:

The Hydralite aluminium jack is the most popular out of the Tangye hydraulic jacks as our models have the capacity to lift 20 to 100 tonnes.

The lightweight Hydralite jacks have the following features:

Versatile – different stroke options, claw lift, screwed ram or plain ram.

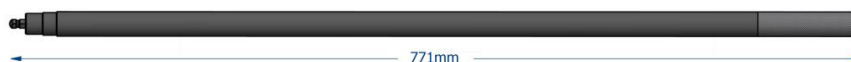
Low Clearance – claw models are available for lifting loads with low ground clearance.

Load Sustaining – jacks with a screwed ram and load retaining ring should be selected when loads are to be sustained for a significant time.

Easy Operation – the operating lever can be fitted in any one of the three positions in the quadrant to obtain the most suitable operating height.

Product code	PS620S		PS630S		PS660S	
Ram Capacity	20Tonnes		30Tonnes		60Tonnes	
Lift Per Stroke	1.1 mm	0.042 ins	0.70 mm	0.026 ins	0.3 mm	0.013 ins
Weight of Jack	10.90 kgs	24 lbs	15.40 kgs	34 lbs	27.4 kgs	61 lbs
Working Pressure	682 Bars	9,900 PSI	644 Bars	9,350 PSI	644 Bars	9,350 PSI
Effort on Lever (max)	54 kgs	120 lbs	52 kgs	115 lbs	52 kgs	115 lbs
Oil Capacity	0.64 Litres	1.13 Pints	0.88 Litres	1.5 Pints	1.71 Litres	3 Pints
Dimensions	mm	ins	mm	ins	mm	ins
A - Width	121	4.75	140	5.5	190	7.5
B - Centre Ram to Face	60	2.38	70	2.75	92	3.625
C - Base Length	178	7	197	7.75	251	9.875
D - Overall Depth	214	8.44	235	9.25	286	11.25
F - Ram Diameter	60	2.38	76	3	108	4.25
H - Closed Height	289	11.38	292	11.5	330	13
Stroke	152	6	152	6	152	6
Service Kit Number	133930		133932		133935	

HYDRALITE OPERATING LEVER PART NUMBER: 993002 WEIGHT: 2.2KG



HI-PRESS HYDRAULICS LTD
RIVERSIDE WORKS,
FORGE ROAD, WHALEY BRIDGE,
HIGH PEAK, SK23 7HY

T: 01663 735089 - F: 01663 735090
sales@hi-press.co.uk

HI-PRESS HYDRAULICS LTD
UNIT 2, HALL HOUSE IND EST,
NEW HUTTON, KENDAL,
CUMBRIA, LA8 0AH

T: 01539 734005 - F: 01539 734006
cumbria@hi-press.co.uk