

Shown: WVP-5, MVPM-5



Sequence valves

Sequence valves block the oil to a secondary hydraulic circuit until pressure in the primary circuit reaches a preset level.

The sequence valves have a built-in check system to allow the oil to flow back without external piping.

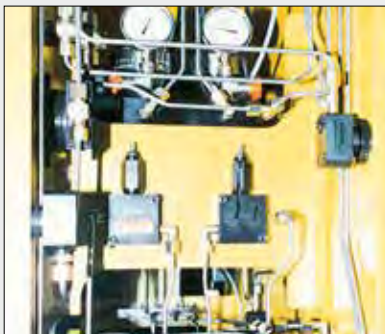
Pressure settings for the V-2000 can be adjusted by screwing the slotted pin in or out. The pressure settings for the other models is adjusted by loosening the jam nut and turn the set screw to reach your setting.

Application

The sequence valves can be mounted in-line or fixture mounted using mounting bolts.

A typical application for the sequence valve would be to build pressure within work supports before the swing cylinders are applied to the supported part, to prevent deflection in the part.

■ Two WVP-5 sequence valves used in conjunction with Enerpac MCA-series Auto Coupler to provide system automation.



Pressure dependent sequence control

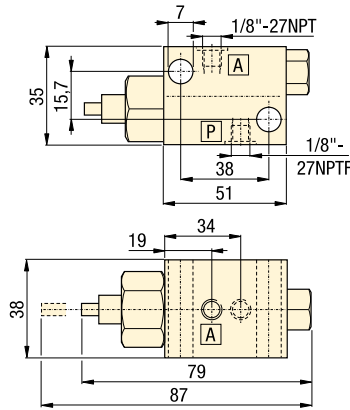
MVPM-5, WVP-5, MVPC-5

- Direct accurate pressure setting
- Pressure setting between 35-350 bar for secondary circuit is secured with lock nut
- Mounting holes on WVP-5, manifold mounting ports on MVPM-5
- MVPC-5 features cartridge body

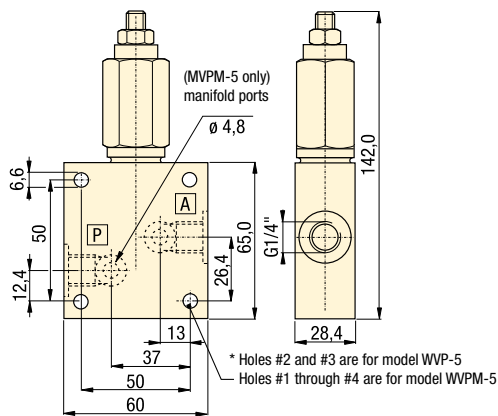
V-2000

- Direct accurate pressure setting
- Pressure setting between 14-140 bar for secondary circuit
- Flag indicator appears everytime the valve is operated

V-2000



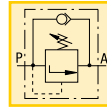
MVPM-5, WVP-5



Pressure: 350 bar

Flow: 4 - 10 l/min

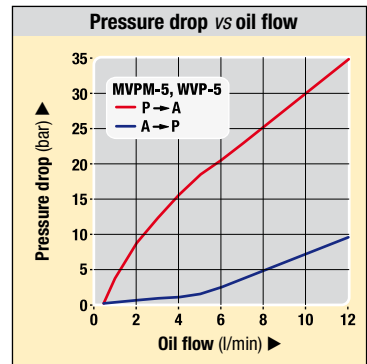
- Ⓔ Válvulas de secuencia
- Ⓕ Valve de séquence
- Ⓓ Folgeventil



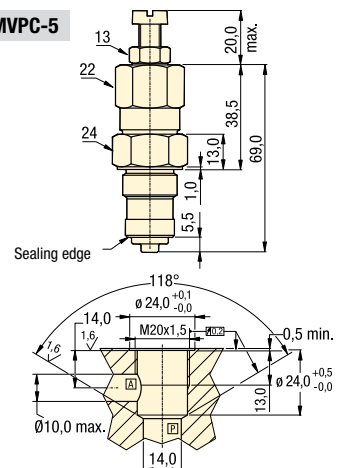
Options

Gauges and accessories

190 ▶



MVPC-5



Product selection

Pressure adjustment range	Maximum pressure	Maximum oil flow	Model number	Oil ports	Opening pressure check valve	A	kg
bar	bar	l/min			bar	mm	
14 - 140	350	4,0	V-2000	1/8"-27 NPTF	—	—	0,9
35 - 350	350	10,0	MVPC-5	—	0,7	—	0,2
35 - 350	350	6,0	MVPM-5	G 1/4"	1,4	28,5	1,3
35 - 350	350	6,0	WVP-5	SAE #4	1,4	24,9	0,8

Seal material: Buna-N.

Manifold O-rings included with MVPM-5. For manifold mounting installation information consult Enerpac for surface preparation.