

Shown: MCH-31, MCRA-11, MCRC-21, MCH-21, MCR-21

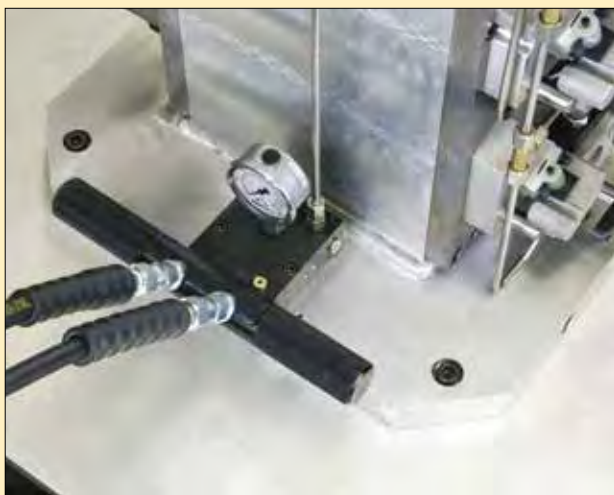


The Enerpac manual coupler is available as a dual connection model or dual connection with optional air circuit for part present sensing. The fixture side receiver is available with or without an internal pilot operated check valve. Filtration provides protection from contamination.

Manual coupler applications:

- **With P.O. check**
 - Use MCRC-21 for a complete, unitized coupler receiver solution.
- **Without P.O. check:**
 - Use MCR-21 when using a remote mounted Pilot Operated Check Valve.

■ *Enerpac manual couplers simplify the process of connecting and disconnecting to a palletized fixture.*

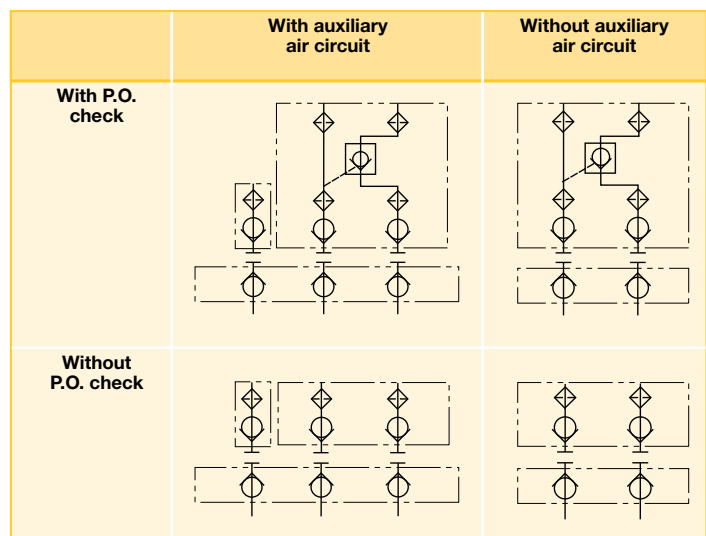


Manual Couplers

...convenient connection

- Use on palletized fixtures
- Available with or without an internal pilot operated (P.O.) check valve
- Optional coupler block available to add circuit for air part present sensing
- Manifold porting
- Porting for tubing connections
- Filtration to prevent contamination
- Removable front plate provides access to the front filters and check cartridge
- Top port accommodates an accumulator or gauge.

Manual Coupler Circuits



Product selection

Model number	Basic configurations	Circuits
MCRC-21	Pallet receiver with P.O. check	Two Hydraulic
MCR-21	Pallet receiver without P.O. check	Two Hydraulic
MCRA-11	Auxiliary air circuit receiver block	One Air
MCH-21	Operator handle	Two Hydraulic
MCH-31	Operator handle	Two Hydraulic, One Air
MCSB-21	Storage block	-
MCPS-21	Proximity switch kit	-

Select your components

MCRC-21 Pallet Receiver with P.O. Check

An internal pilot operated check valve and multiple ports to accommodate a gauge or accumulator make the MCRC-21 a great choice of coupler receiver for use in a palletized fixture. Internal filtration protects the check from contamination. Use with the MCH-21 operator handle.



MCR-21 Pallet Receiver

For applications where the pilot operated check valve is remote mounted in the fixture circuit, use the MCR-1. Internal filtration protects the circuit from outside contamination.



MCRA-11 Auxiliary air circuit receiver

The MCRA-11 is used to provide an additional connection for use with air part sensing circuits. Use with either the MCRC-21 or the MCR-21. Use with the MCH-31 operator handle.



MCSB-21 Operator Handle Storage Block

Proper storage of the MCH-21 or MCH-31 handle prevents contamination of the couplers, and makes sure that the handle is disconnected from the fixture. Use the MCPS-21 proximity switch to confirm proper storage as an input to the machine control.



MCH-21 Two Coupler Operator Handle

Use the MCH-21 with either the MCRC-21 or the MCR-21 pallet receiver.



MCH-31 Operator Handle

Use the MCH-31 when using the MCRA-11 with either the MCRC-21 or MCR-21 receivers.



Max. Flow: 15 l/min

Pressure: 0 - 350 bar

- E Acopladores manuales
- F Manuel coupleur
- D Manuelle kupplung

Options

FZ Series fittings

 194 ▶



Hoses

 192 ▶



Pilot operated check valves

 153 ▶



Accumulators

 162 ▶



Important

Do not couple or uncouple with the hydraulic nozzles under pressure. This can damage the couplers.

Do not exceed maximum flow and pressure.

Operating pressure bar	Replacement hydraulic nozzle	Replacement filter kit	Voltage VDC	Model number
7 - 350	AH-654	FL-2201K	-	MCRC-21
7 - 350	AH-654	FL-2201K	-	MCR-21
1 - 7 *	AH-654	FL-2201K	-	MCRA-11
7 - 350	AR-650	-	-	MCH-21
7 - 350	AR-650	-	-	MCH-31
-	AH-654	-	-	MCSB-21
-	-	-	24	MCPS-21

* Air pressure

Manual Couplers *Dimensions & options*

Shown: MCH-21, MCR-21



MCR and MCH-series

The Enerpac MCH-21 two passage operator handle conveniently connects and disconnects to the MCR-21 two passage receiver utilizing a simple push-on, pull-off action.

Collet-Lok® products

Swing clamps

Work Supports

Linear Cylinders

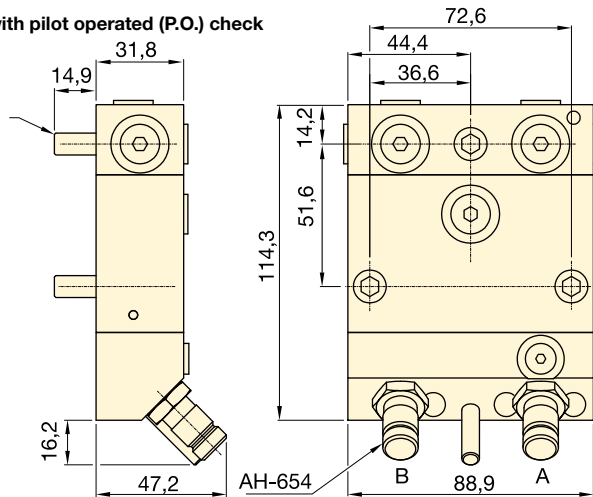
Power Sources

Valves

Pallet Components

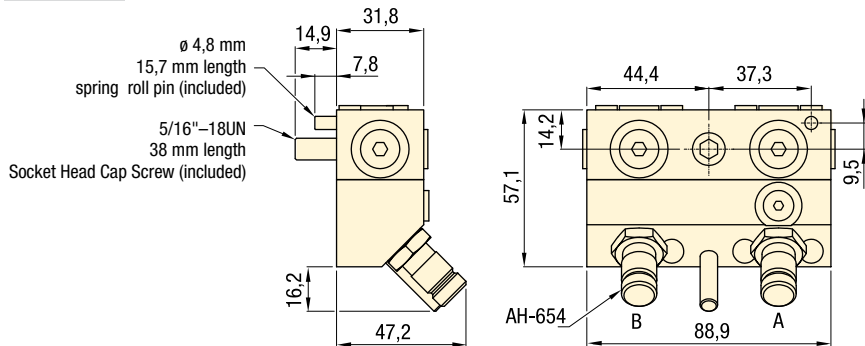
MCR-21 Receiver with pilot operated (P.O.) check

See page 170 for mounting pattern.



MCR-21 Receiver without pilot operated check

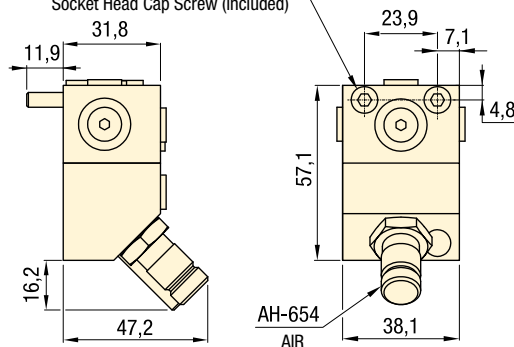
\varnothing 4,8 mm
 15,7 mm length
 spring roll pin (included)
 5/16"-18UN
 38 mm length
 Socket Head Cap Screw (included)



MCRA-11 Auxiliary air circuit receiver

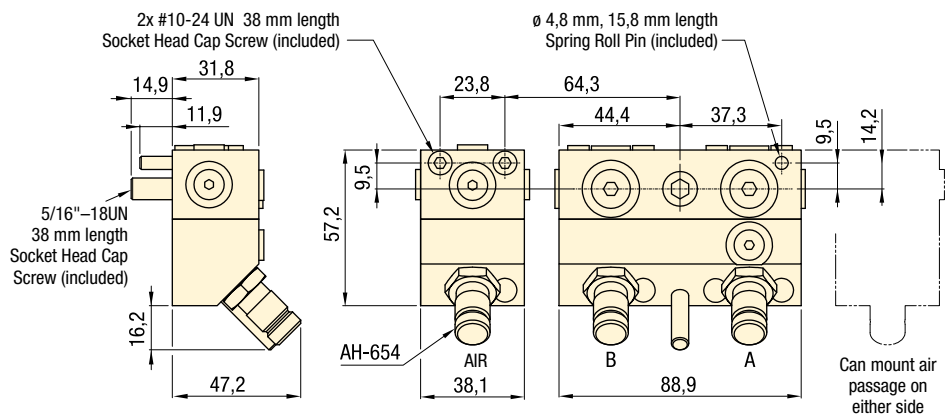
See page 170 for mounting pattern.

2x #10-24 UN 38 mm length
 Socket Head Cap Screw (included)

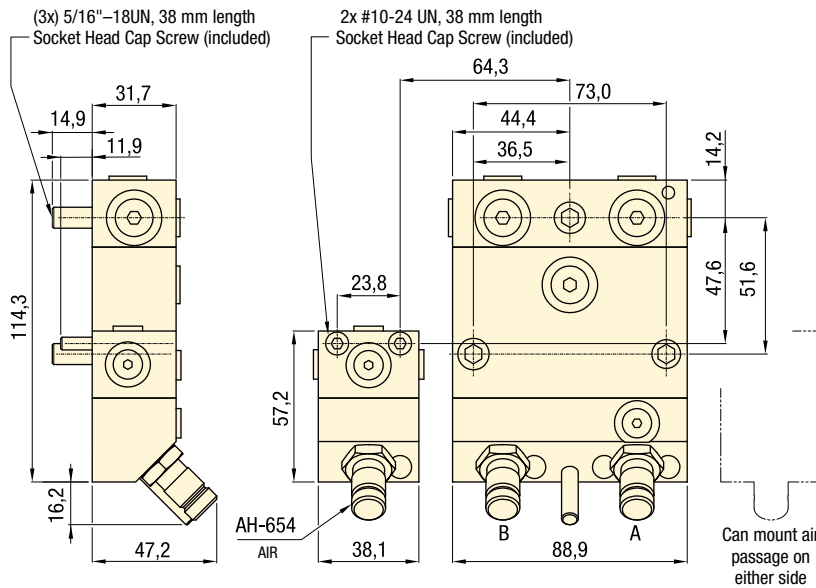


MCR-21 with MCRA-11 Receiver with air passage and without P.O. check

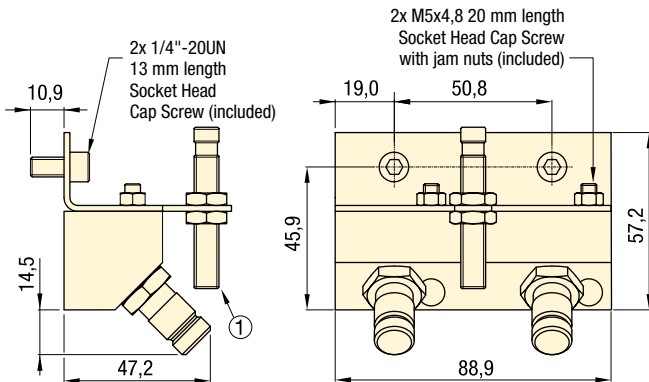
2x #10-24 UN 38 mm length
 Socket Head Cap Screw (included)
 5/16"-18UN
 38 mm length
 Socket Head Cap Screw (included)



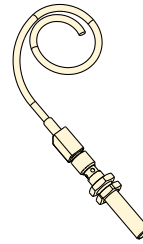
MCR-21 with MCRA-11 See page 170 for mounting pattern.



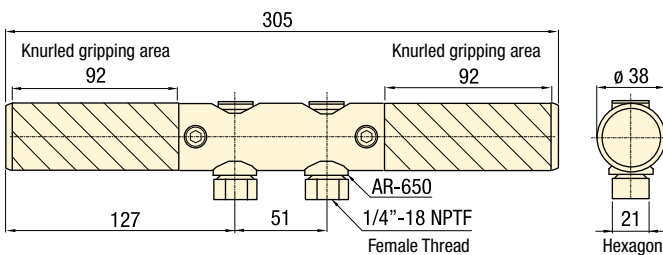
MCSB-21 Storage block. See page 171 for mounting pattern.



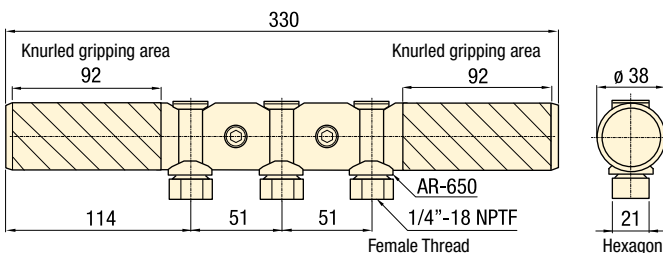
MCSB-21
Optional proximity switch



MCH-21 Operator handle



MCH-31 Operator handle



Max. Flow: 15 l/min

Pressure: 0 - 350 bar

- E** Acopladores manuales
- F** Manuel coupleur
- D** Manuelle kupplung

Options

FZ Series fittings

194 ▶



Hoses and couplers

192 ▶



Pilot operated check valves

153 ▶



Accumulators

162 ▶



Important

Do not couple or uncouple with the hydraulic nozzles under pressure. This can damage the couplers.

Do not exceed maximum flow and pressure.

Manual Couplers *Mounting patterns*

Shown: MCR-21



MCR-series

The MCR-21 two passage receiver features multiple SAE #4 ports as well as manifold mount ports for easy plumbing to a fixture. Internal filtration in all receiver models protects the circuit from external contamination.

Collet-Lok® products

Swing clamps

Work Supports

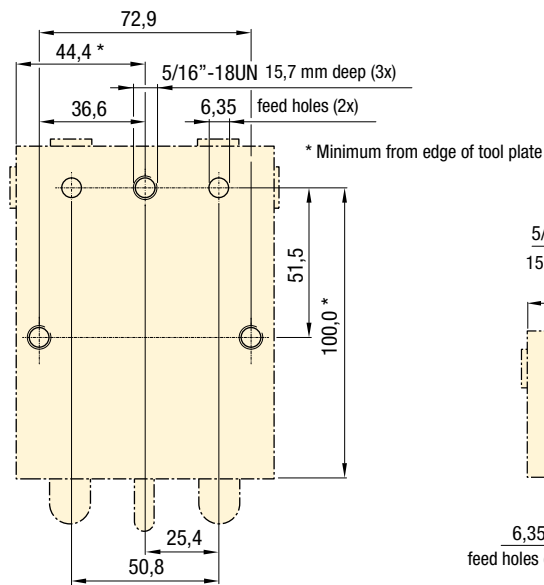
Linear Cylinders

Power Sources

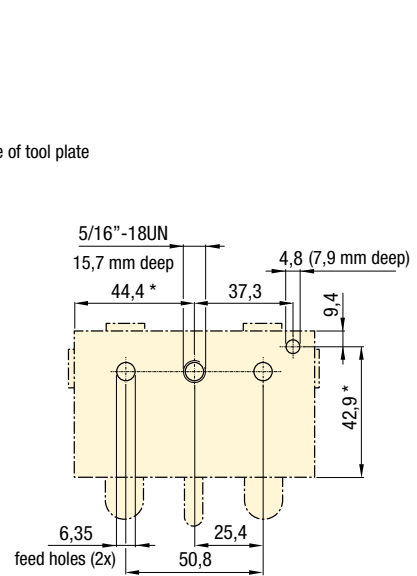
Valves

Pallet Components

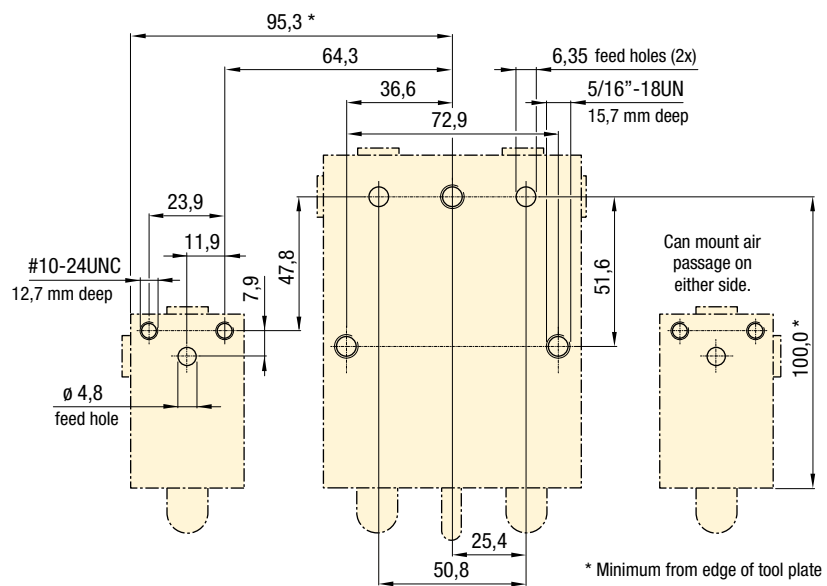
MCRC-21 Receiver with P.O. check – Mounting hole pattern



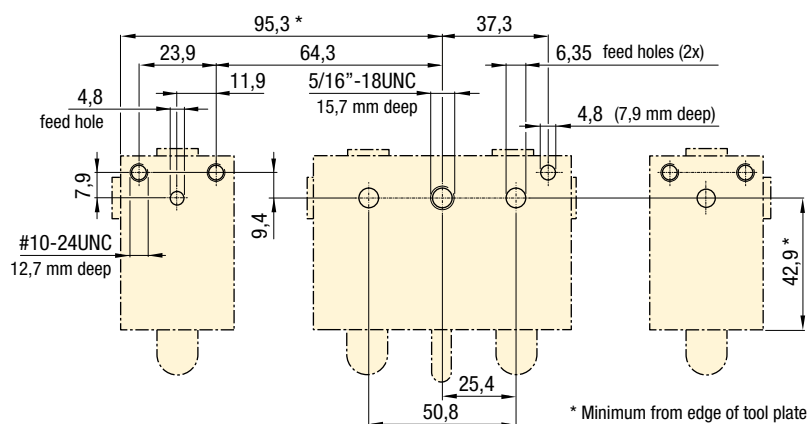
MCR-21 Receiver without P.O. check – Mounting hole pattern



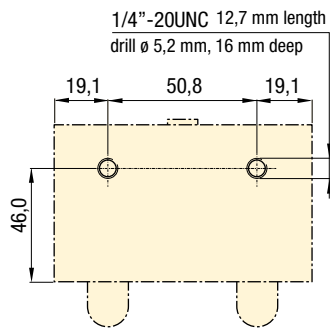
MCRC-21 with MCRA-11 Receiver with air passage and with P.O. check – Mtg. hole pattern



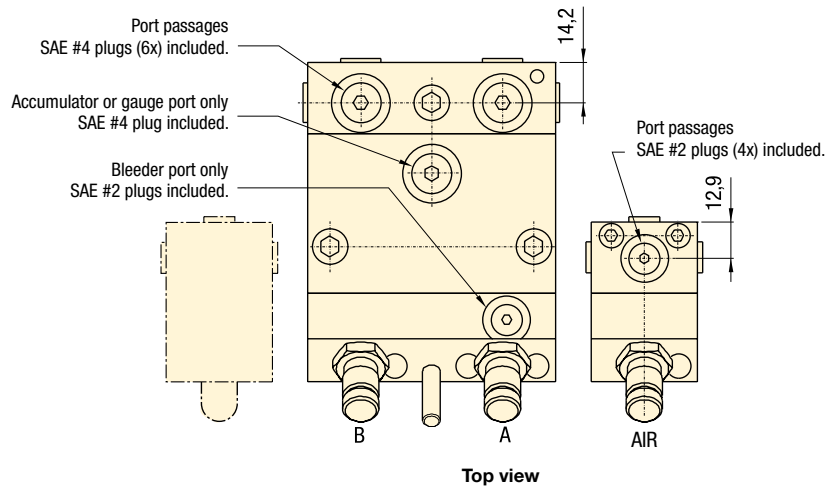
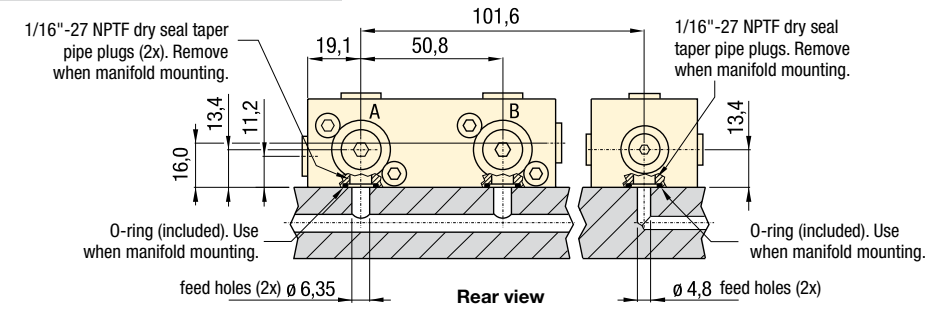
MCR-21 with MCRA-11 Receiver with air passage and without P.O. check – Mtg. hole pattern



MCSB-21 Storage Block – Mounting Hole Pattern



Manifold and Port Dimensions




Flow: 15 l/min max.

Pressure: 0 - 350 bar

- E** Acopladores manuales
- F** Manuel coupleur
- D** Manuelle kupplung

Options

FZ Series fittings



194 ▶

Hoses and couplers



192 ▶

Pilot operated check valves



153 ▶

Accumulators



162 ▶

Important

Do not couple or uncouple with the hydraulic nozzles under pressure. This can damage the couplers.

Do not exceed maximum flow and pressure.