

▼ Aquajack® Tensioner EAJ2LC with Quick Fastening Nut



- Compact design
- Long piston stroke
- Misalignment compensation
- Quick, simple hose connection
- Visible piston stroke indication
- 'No spill' overstroke elimination
- Quick fastening or solid reaction nut.

▼ Guaranteed to save time and increase efficiency, Aquajack® tensioners improve diver safety, productivity and reduce diver fatigue.



The most cost effective solution to subsea bolt or stud tightening



Quick Fastening Nut Design

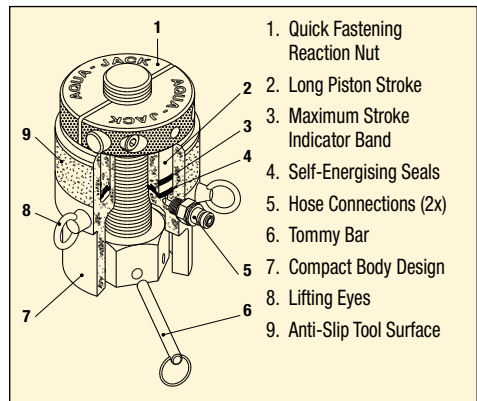
Easily positioned in poor visibility conditions, Aquajack® subsea tensioners feature a compact design and long piston stroke.

The unique Split Nut® design of these tools allows rapid application to long bolts and damaged threads, and rapid tool removal.



No Oil Spillage or Over-Stroking

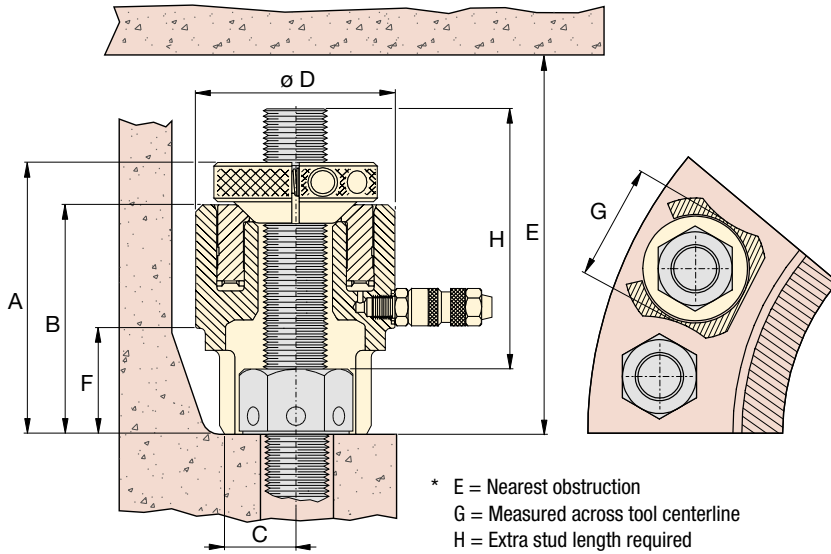
Innovative tool design ensures maximum tool strokes can be used without over stroking the piston or oil spillage. Guaranteed to save time and increase efficiency, Aquajack® subsea tensioners improve diver safety, productivity and reduce diver fatigue.



Hose Reel and Stand

Stainless steel stand with 1500 bar hoses from 30 upto 270 metres lengths. All hose reels are built up with multiple 30 metre length hoses.

Aquajack® Subsea Tensioners



EAJ Series



Bolt Range:

M20 - M90 | 3/4 - 3 1/2 inch

Maximum Load Capacity:

151,3 - 2320,9 kN

Maximum Operating Pressure:

1500 bar

Load Cell Model Number *	Thread Size	Quick Fastening Nut Model Number	Cylinder Effective Area (mm ²)	Maximum Load Capacity (kN)	Stroke (mm)	Dimensions (mm)								Tool Weight (kg)
						A	B	C	D	E*	F	G*	H*	
EAJ1LC	3/4" - 10 UN	EAJ1QFN0750U10	1008,7	151,3	20	114	91	19	66	217	35	53	96	1,5
	7/8" - 9 UN	EAJ1QFN0875U09												
	M20 x 2,5	EAJ1QFNM02025												
	M22 x 2,5	EAJ1QFNM02225												
EAJ2LC	1" - 8 UN	EAJ2QFN1000U08	1658,4	248,7	30	147	120	25	82	289	50	62	125	3,0
	M24 x 2,5	EAJ2QFN02425												
	M27 x 3,0	EAJ2QFNM02730												
	1 1/8" - 8 UN	EAJ2QFN1125U08												
EAJ3LC	M30 x 3,5	EAJ2QFNM03035	2524,3	378,6	30	158	131	28	98	307	58	78	130	4,5
	1 1/4" 8 UN	EAJ3QFN1250U08												
	M33 x 3,5	EAJ3QFNM03335												
	1 3/8" - 8 UN	EAJ3QFN1375U08												
EAJ4LC	M36 x 3,5	EAJ3QFNM03635	3686,7	553,0	30	171	136	33	114	319	63	91	135	6,0
	1 1/2" - 8 UN	EAJ4QFN1500U08												
	M39 x 4,0	EAJ4QFNM03940												
	1 5/8" - 8 UN	EAJ4QFN1625U08												
EAJ5LC	M42 x 4,5	EAJ4QFNM04245	5908,7	886,3	30	184	146	40	193	342	70	114	140	9,0
	1 3/4" - 8 UN	EAJ5QFN1750U08												
	M45 x 4,5	EAJ5QFNM04545												
	1 7/8" - 8 UN	EAJ5QFN1875U08												
	M48 x 5,0	EAJ5QFNM04850												
EAJ6LC	2" - 8 UN	EAJ5QFN2000U08	8312,8	1246,9	30	201	161	49	164	367	82	138	150	13,0
	M52 x 5,0	EAJ5QFNM05250												
	M56 x 5,5	EAJ6QFNM05655												
	2 1/4" - 8 UN	EAJ6QFN2250U08												
	M60 x 5,5	EAJ6QFNM06055												
EAJ7LC	2 1/2" - 8 UN	EAJ6QFN2500U08	12.369,0	1855,4	30	230	178	75	192	400	95	154	165	19,0
	M64 x 6,0	EAJ6QFNM06460												
	M68 x 6,0	EAJ7QFNM06860												
	2 3/4" - 8 UN	EAJ7QFN2750U08												
EAJ8LC	M72 x 6,0	EAJ7QFNM07260	15.473,0	2320,9	30	247	193	68	216	412	109	182	165	24,5
	M76 x 6,0	EAJ7QFNM07660												
	3" - 8 UN	EAJ7QFN3000U08												
	M80 x 6,0	EAJ8QFNM08060												
	3 1/4" - 8 UN	EAJ8QFN3250U08												
M85 x 6,0	EAJ8QFNM08560													
M90 x 6,0	EAJ8QFNM09060													
M90 x 6,0	EAJ8QFN3500U08													

* Tommy Bar included with Load Cell.